

Product Information

Mixing and Dispensing Machine



B3500

Compact mixing and dispensing machine for Part encapsulation or filter production

The compact dispensing machine B3500 can be easily integrated in every existing work station or part transport system. With a PC based modular control system design, the B3500 can be adapted to any application. The B3500 is used in a wide range of process technologies and combines precision, productivity and flexibility.

- ✓ Dynamic mix head capable for hard to mix and fast cure resins
- ✓ Selection of variable mix ratios
- ✓ Continuous mixing and dispensing
- ✓ Infinitely variable dispensing rate and volume

Manual workplace

**Production cell
(for integration)**

Production line

Process & Services

Dispensing Technology

Automation Technology

Impregnation Technology

Product information

Mixing and Dispensing Machine B3500

Key Components

✓ Dispensing systems

- Dynamic mixing system
- Static mixing system
- Single part system

✓ Coordination systems

- 2-axis system with servo-drive Y-Z
- Pneumatic Z axis possible

✓ Controller

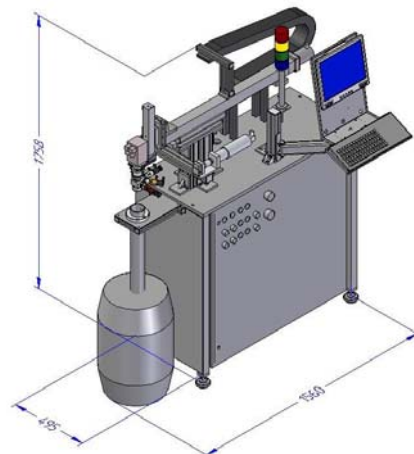
- Beckhoff
- HMI visualization via color screen

Modular Options

- Material preparation system MPS
- Supply from pressure tank or cartridge
- Manual/automatic refill station
- Temperature regulation
- Material recirculation
- Degassing system
- Filling level monitoring, digital
- Cleaning system
- Solvent recirculation unit
- Integrated weighing scale
- Process and process data control
- Product and machine data tracking
- Integration Possibilities:
 - Conveyor belt
 - Light curtain
 - Pallet Transport conveyor
 - Turntable

Technical Data

Size (w x h x d):	1,420 x 1,890 x 500 mm
Weight:	approx. 300 kg (without vessels)
Working area:	Y: 370 mm; Z: 100 mm Other lengths possible
Electrical power supply:	220 V / 15 A / 60 Hz
Air pressure supply:	max. 6 bar (90 psi)
Color:	RAL 7035



Your Competitive Edge - Our Service

- ✓ Service hotline
- ✓ On-site technical support available
- ✓ Same day spare parts
- ✓ Process and part optimization testing with in-house laboratories
- ✓ Training sessions for machine operators, maintenance and manufacturing engineers
- ✓ Remote diagnosis via internet

Contact



BARTEC Dispensing Technology, Inc.

5889 S. Garnett Rd.

Tulsa, OK 74146-6848

Phone: +1 (918) 250-6496

Fax: +1 (918) 250-6564

Email: sales@bartec-dt.com

www.bartec-dt.com