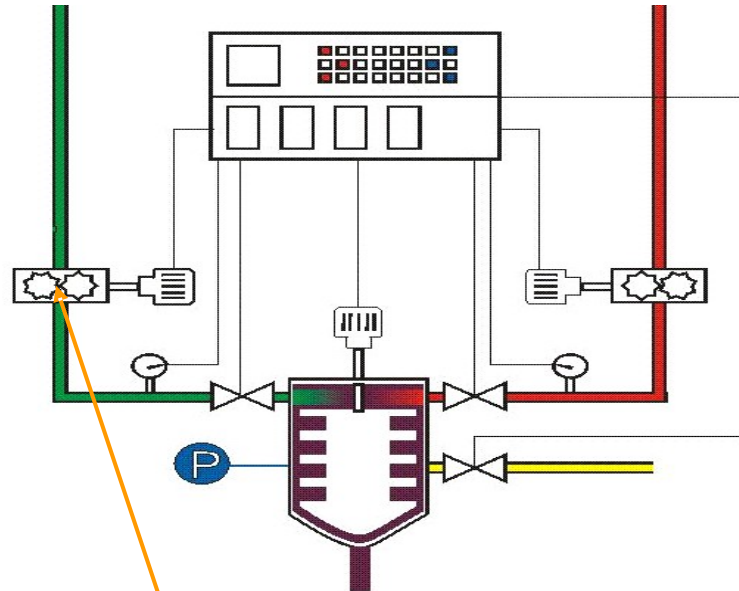
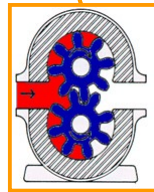


Metering Technology



we know how



i.e. External gear pump

Every 360° that the pump is turned by the motor, this pump can meter 0.01cc of material. A PLC controls the speed and number of turns to accurately meter and maintain a precise ratio between materials A and B.

BARTEC volumetric positive displacement pumps are selected based on the resin characteristics:

- | | | |
|---------------------------|---|---|
| External Gear Pump | → | For low to medium viscosity unfilled materials non abrasive. |
| Internal Gear Pump | → | For low to high viscosity filled low abrasive materials. |
| Peristaltic Pump | → | For abrasive low to medium viscosity highly filled materials. |
| Screw Pump | → | For highly filled abrasive materials with high viscosity. |